

Modular stand «Easy»

- Anthracite floor covering (2 metres x 2 metres)
- 1 fully printable textile-covered wall
- 1 presentation counter (conversation module)
- 2 bar stools, electricity, lighting
- Marketing package*

Price CHF 3900

Printed textile-covered walls included

You can freely design your textile-covered walls. You can send the print data to us and we will take care of the production. This way you will find the stand ready for use at the trade fair.

Info print requirements and templates following pages

Options

- Plasma screen incl. installation and clean cabling CHF 520
- Co-exhibitor incl. marketing package CHF 900

Other mass desired?

The model can be extended with an additional textile-covered wall element. Price on request.

* Marketing package CHF 1,450 including

- ¼-page exhibitor profile with logo in the trade fair guide
- Exhibitor and product profile in the online exhibitor directory at topsoft.ch
- 1/2 page show case in the topsoft trade fair guide, landing page on topsoft.ch
- Use of the visitor invitation system with ticket code

Send print data before may 20th 2022 to a.krauer@topsoft.ch

Stand buidler

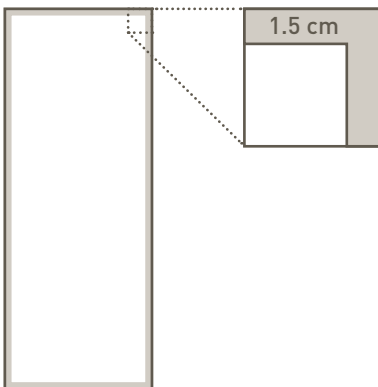
schweizermessebau ag
CH-5630 Muri
T +41 56 675 70 00
info@schweizermessebau.ch
www.schweizermessebau.ch

requirements print data

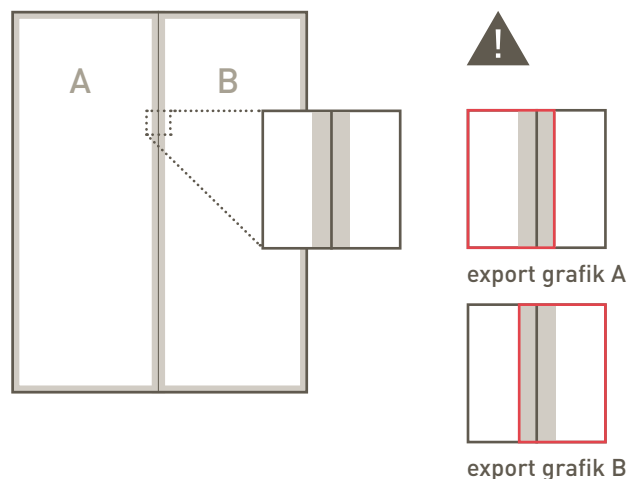
software:	adobe photoshop / illustrator
resolution:	ideal 100dpi, mind. 72 dpi
color mode:	cmyk
export-file:	- pdf/x-1a:2003 (iso 15930-4), each graphic individually - reduce all layers to a pixel image or vectorise fonts before exporting - no transparencies

1.5 cm of the graphic file not visible

- > leave enough spacing
- > no font in this zone, except:



- graphics over several modules
- > so that your graphics can present themselves seamlessly, please note the overlapping zone of the print files. due to the clamping in the frame, the 1.5 cm edge of each module disappears.



- > simply take +1.5cm each from the neighbouring graphic - just like with the border.



sizes of the graphic files at 100 dpi

standard-modul

99 x 253 cm graphic file

96 x 250 cm visible

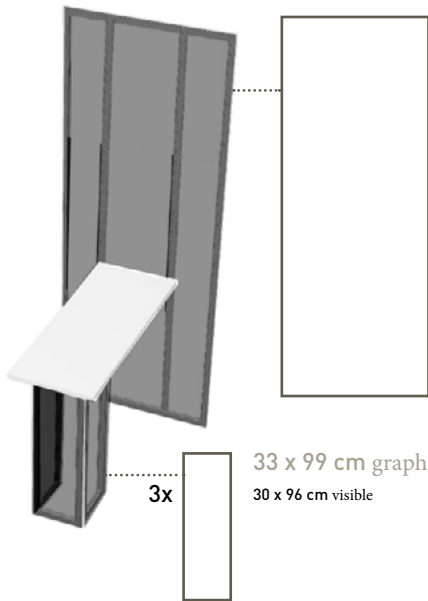


conversation module

... with screen

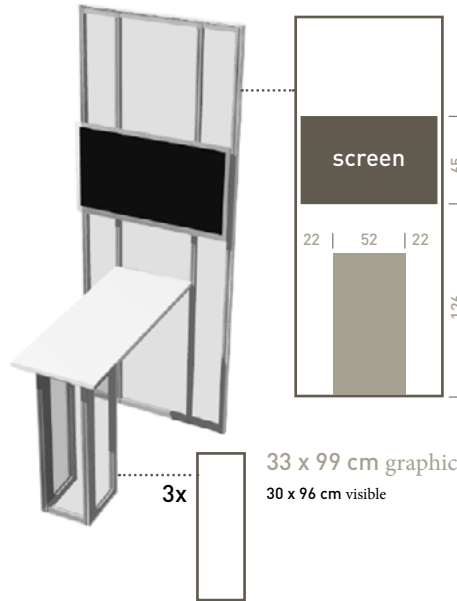
99 x 253 cm graphic file

96 x 250 cm visible



99 x 253 cm graphic file

96 x 250 cm visible



Logo panel

Option with Corner and Corner Plus

123 x 51 cm graphic file

120 x 48 cm visible



The logo panel is attached to the top of the standard modules and covers the graphics/visuals on the standard modules by approx. 8 cm.

Use the **Templates** from schweizermessebau and follow the print requirements:

www.schweizermessebau.ch/anforderungen-druckdaten